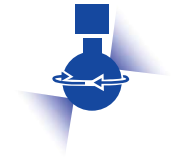


Rotating cleaning nozzle XactClean HP+ Series 5S5



Features:

- High impact and uniform cleaning thanks to specially developed flat fan nozzles
- Effective cleaning of larger tanks through higher flow rates
- High operating reliability due to robust drive unit



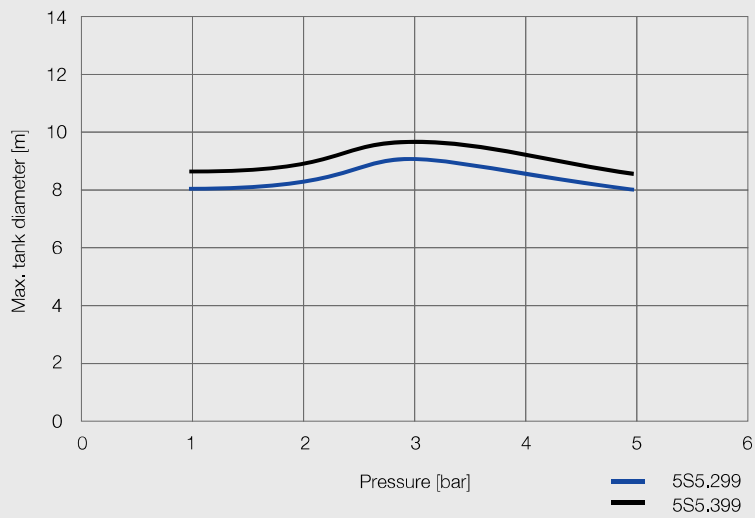
Function video
www.lechler.com/de-en/medialibrary/videos-general-industry
 Or scan the QR code.

Series 5S5

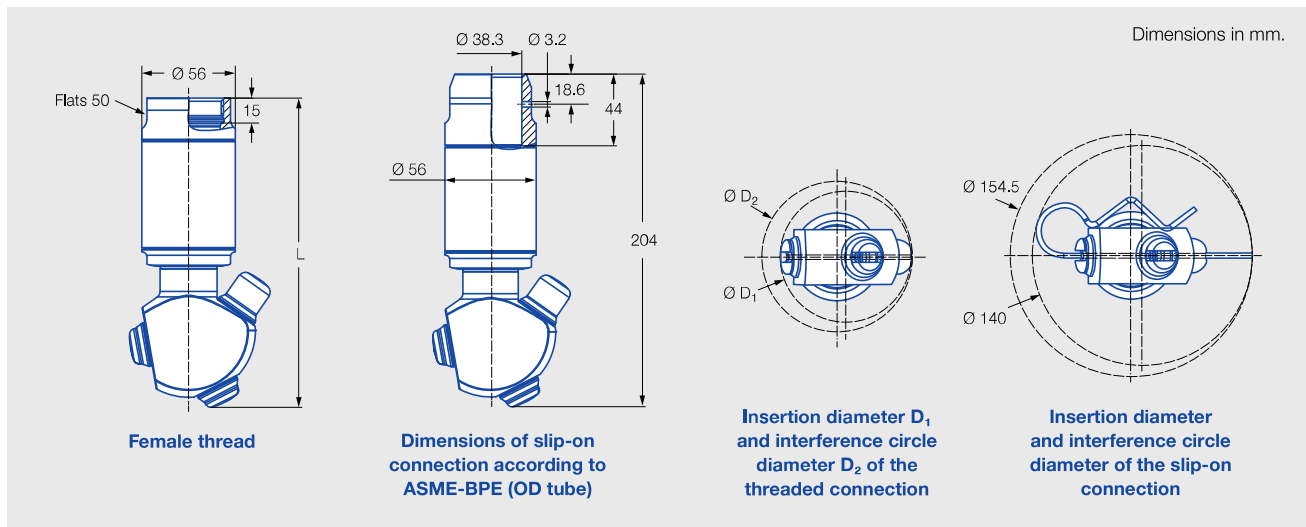
Technical data:

Maximum operating temperature 150 °C	Maximum ambient temperature 150 °C	Installation Operation in every installation position	Bearing Double ball bearing
Material Stainless steel 1.4404 (316L), stainless steel 1.4401 (316), PEEK, EPDM	Weight 1.12–1.93 kg	Surface quality Outside Ra ≤ 0,8 µm	Surface quality Inside Ra ≤ 1,6 µm
Steam suitability Suitable	Insertion diameter 81–140 mm	Recommended filter Line strainer with a mesh size of 0.3 mm/50 mesh	Recommended operating pressure 3 bar
Adapter 1 BSPP, 1 1/4 BSPP and 1 1/2 BSPP are compatible with HygienicFit	Rotation monitoring Sensor-compatible, information: see pages 100–101	Maintainable	

Max. tank diameter
 The specified maximum tank diameter applies to the recommended operating pressure and is indicative only. The type of soiling is also decisive for the cleaning result.



Overview of maximum tank diameter depending on pressure



Connection		Dimensions [mm]		
		L	Insertion diameter D ₁	Interference circle diameter D ₂
AN	1 BSPP	185	81-92	82-98
AQ	1 1/4 BSPP	185	81-92	82-98
AS	1 1/2 BSPP	187	81-92	82-98

Spray angle	Ordering no.					Narrowest cross-section Ø [mm]	V̇ water [l/min]			V̇ water at 3 bar [m³/h]	Max. tank diameter [m]
	Type	Connection					p [bar] (p _{max} = 10 bar)				
		1 BSPP	1 1/4 BSPP	1 1/2 BSPP	1 1/2" slip-on connection		2.0	3.0	5.0		
180° 	5S5.293.1Y	AN			TF15	3.0	165	202	261	12.1	9.0
	5S5.323.1Y	AN	AQ		TF15	3.0	200	245	316	14.7	9.2
	5S5.363.1Y		AQ	AS	TF15	3.0	250	306	395	18.4	9.4
180° 	5S5.294.1Y	AN			TF15	3.0	165	202	261	12.1	9.0
	5S5.324.1Y	AN	AQ		TF15	3.0	200	245	316	14.7	9.2
	5S5.364.1Y		AQ	AS	TF15	3.0	250	306	395	18.4	9.4
270° 	5S5.295.1Y	AN			TF15	3.0	165	202	261	12.1	9.0
	5S5.325.1Y	AN	AQ		TF15	3.0	200	245	316	14.7	9.2
	5S5.365.1Y		AQ	AS	TF15	3.0	250	306	395	18.4	9.4
270° 	5S5.296.1Y	AN			TF15	3.0	165	202	261	12.1	9.0
	5S5.326.1Y	AN	AQ		TF15	3.0	200	245	316	14.7	9.2
	5S5.366.1Y		AQ	AS	TF15	3.0	250	306	395	18.4	9.4
360° 	5S5.299.1Y	AN			TF15	3.0	165	202	261	12.1	9.0
	5S5.329.1Y	AN	AQ		TF15	3.0	200	245	316	14.7	9.2
	5S5.369.1Y		AQ	AS	TF15	3.0	250	306	395	18.4	9.4
	5S5.399.1Y		AQ	AS	TF15	3.0	300	367	474	22.0	9.6

NPT threads on request.

Information on operation

Compressed air can be used only for a short time for blowing dry. Use above the recommended pressure will have a negative effect on the cleaning result and wear.

Information on slip-on connection

- Cotter pin made of stainless steel 1.4404 (316L) included (ordering no. 095.013.1Y.06.45).
- Depending on the adapter diameter, the flow rate may increase due to the leakage between the adapter and rotating cleaning nozzle.

Ordering Type + Connection = Ordering no.
example: 5S5.293.1Y + AN = 5S5.293.1Y.AN